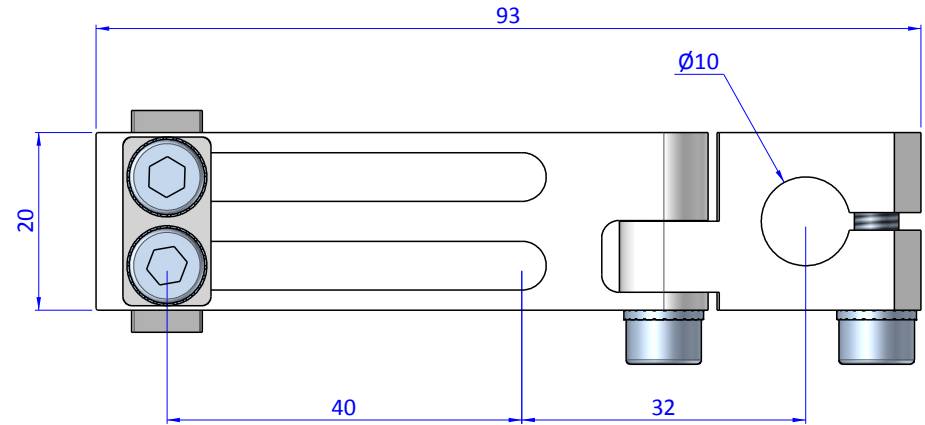
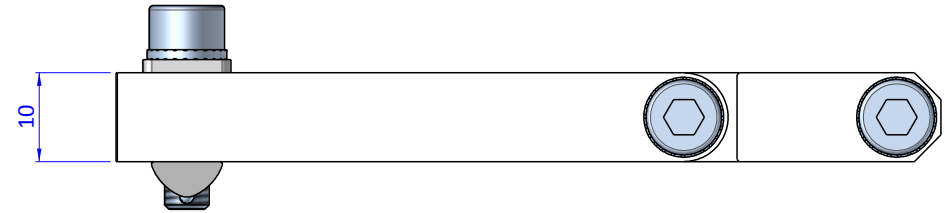
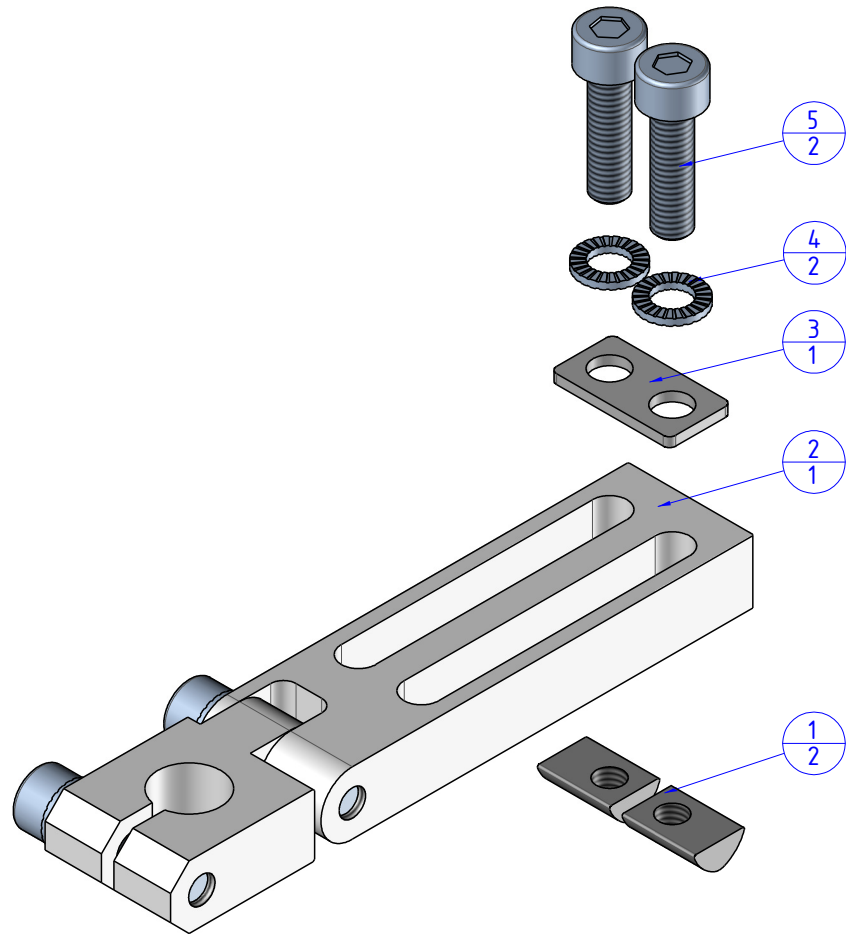



THE PROPERTY OF THE DRAWING IS ESTABLISHED BY LAW. IT IS FORBIDDEN TO PRODUCE OR SHOW IT TO THIRD PARTY, WITHOUT A WRITTEN AGREEMENT.

Item	Name	Q.ty
1	02.05.003	2
2	CA.WSL.GA.10	1
3	R.05.10	1
4	R.5.SCH	2
5	V.TCE5x18	2



Format A3

UNI 936-76

 FPS FPSERVICES AUTOMATION		DESIGNED FROM		REVIEW
		FPS Automation		A
GENERAL TOLERANCE		DATE	WEIGHT	
UNI - ISO 2768		16/07/2019	0,057kg	
CLASSE F		CODE		
		CA.WSL.GA.10.5		CA.WSL.GA.10.5